



# Laskin Aero X

## AEROSOL GENERATOR

### Table of Contents

**01** Laskin type: description and operation  
**02** Different types of Laskin aerosol generators

**03** Main Features, applications and Technical specifications



# Laskin Aero X

AEROSOL GENERATOR

Compliant with:

UNI 11254, UNI EN 149,  
UNI EN 143, EN 1822, EN13274-7, GB-2626

## Laskin type: AeroX

Laskin nozzles have been used for years as aerosol generators for filters test systems (e.g. HEPA – ULPA) and in aerosol research.

Due to the sensitive nature of aerosol generation, Laskin nozzles are also used to produce “aerosol test” to study the effects of bioaerosols.

TCR TECORA® has developed a new series of Laskin generators, called AERO-X capable of being used for most applications.



### NOZZLE DESCRIPTION

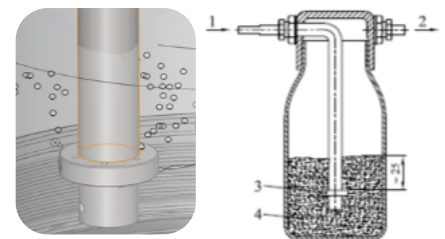
A Laskin nozzle consists of a steel tube (ptfe – titanium as an option) with four holes (1 mm diameter) arranged symmetrically radial and perpendicular to the axis of the nozzle tube. Close to the holes from which the pressurized air comes out, there is a “collar” disc with a larger diameter in which there are 4 precision holes (2 mm diameter) arranged along the axis of the nozzles itself.

The nozzle in the container is fully immersed in the solution to be sprayed. Different solutions and suspensions such as DEHS (DiEthylHexySebacate1) DOP (Dioctyl Phthalate), EMERY 3004, NaCl (Sodium chloride), PSL (Latex Sphere), Methylene Blue, Silicon oil... can be inserted.

### NOZZLE OPERATION

Compressed air is applied to the top end of the nozzle tube. Air escapes at high velocity from the radial holes and then pulls the liquid with it through the holes in the collar ring. As a result, the liquid is finely atomized into the resulting gas bubbles. The bubbles then grow and move toward the liquid surface, where they burst creating small particles that are transferred into the outgoing air stream of the container.

Containers capable of using a single Laskin nozzle are available, or if highly concentrated aerosols need to be generated, systems with 3 or 6 nozzles in parallel are available (e.g. as required in EN149).



#### Single Nozzle Version

Particles: range 0.5 - 5  $\mu\text{m}$

Aerosol concentration:  $>10^7$  p/cm<sup>3</sup>

Flow: 1 - 100 l/min

Pressure: 0.1 - 4 bar

#### Note:

*DiEthylHexySebacate1 (DEHS): non-soluble liquid, colorless and odorless, suitable to produce stable aerosols. (MPPS 0,2...0,3  $\mu\text{m}$ ).*

*The long droplet life also allows the generated aerosol to be used for flow visualization in different environments to track the flow, e. g. wind tunnel tests. DEHS evaporates completely after a long time. A drop with a diameter of 0,3  $\mu\text{m}$  has a duration of about 4 hours. The optical properties are well known, and the particles are spherical and thus easily measured by OPC optical particles counters.*





# Laskin Aero X

AEROSOL GENERATOR

## Laskin Aero-3

3 nozzles version

## Aerosol Generator

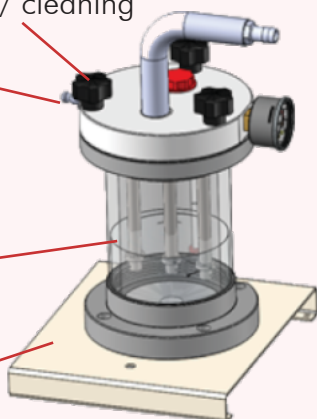
1,1L

Opening knobs for maintenance / cleaning

Air Inlet

Transparent polycarbonate outer cylinder

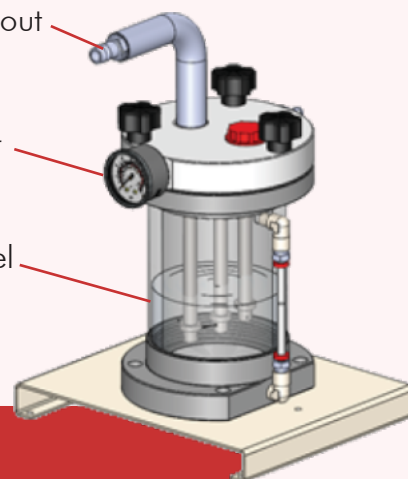
Base holder



Aerosol out

Pressure indicator

Visible liquid level



Code  
**AC99 121 0000SP**

## Laskin Aero -1

1 nozzle version

Aerosol Generator

0,5L

Aerosol Generator

0,25L

## Laskin Aero -1S

1 nozzle version

Aerosol out

Air Inlet



Code  
**AC99 121 0001SP**

Aerosol out

Air Inlet



Smaller containers available for handling smaller amount of solution

Code  
**AC99 121 0002SP**

## DDS Aero

Internal air generator

Aerosol Generator

DDS Aero

Aerosol Generator

DDS Aero-3

## DDS Aero-3

Internal air generator

Double chamber delivery

Flow and pressure regulation of aerosol out



Code  
**AC99 120 0000SP**

Automatic portable system\* with internal pump and Laskin chamber

\*(available 230Vac or battery, 1, 3 or 6 nozzle version)



Code  
**AC99 120 0040SP**

External compressed air supply required (dry, particles and oil free)

INTERNAL Air Generator





# Laskin Aero X

AEROSOL GENERATOR

## MAIN FEATURES

- ③ **TCR TECORA® AERO-X Laskin** generators model are designed to maintain a consistent, repeatable output over time.
- ③ **Laskin Aero-X** is made in laboratory version complete of 1, 3 or 6 nozzles for a greater quantity of aerosol generated.
- ③ The realization in inert material **guarantees high quality of delivery and easy cleaning/maintenance** of the system.
- ③ The **possibility to vary working pressure allows to regulate the size distribution of particles** and the quantity of aerosol dispensed.
- ③ The **DDS Aero** version is a complete solution and requires 230 Vac power supply (internal battery option for applications in area without power supply) to manage the internal air delivery system. **The system manages 2 spray chambers** (which can be use individually) **with 1, 3 or up to 6 Laskin nozzles.**

## APPLICATIONS

- > Bioaerosol generation;
- > PFE – materials filtration efficiency;
- > Biological – medical research;
- > Instrument calibration;
- > Fluid dynamic experiments in wind tunnel.
- ③ HEPA – ULPA filter test according to EN1822 as cold aerosol generation system;
- ③ Peaks monodisperse aerosol generation with DEHA at 0,65  $\mu\text{m}$  with minimum 0,25  $\mu\text{m}$  delivery;
- ③ Concentrations greater than  $10^7$  particles/cm<sup>3</sup> per single Laskin nozzle;
- ③ Generation of polydisperse aerosol in high concentrations;
- ③ Wide range of flow adjustment possibilities, typical 5-10 l/min applications;
- ③ Laskin systems allow you to generate aerosol with a variety of liquids, solutions, and suspensions.

## TECHNICAL SPECIFICATIONS

Aerosol Generators	Aero-3	Aero-1	Aero-1S
Tank volume (other sizes on request)	<b>1,1 L</b>	<b>0,5 L</b>	<b>0,25 L</b>
Flowrate (indicative max with dilution system)	1 ÷ 100* l/min	1 ÷ 100* l/min	1 ÷ 100* l/min
Particles / Volume	>10 <sup>7</sup> particles/cm <sup>3</sup>	>10 <sup>7</sup> particles/cm <sup>3</sup>	>10 <sup>7</sup> particles/cm <sup>3</sup>
Chambers Materials	Polycarbonate (PTFE*)	Pyrex Glass	Pyrex Glass
Solution duration (max dispensing)	> 10 h	> 5 h	> 2 h
Nozzle pressure	0.1 ÷ 4 Bar	0.1 ÷ 4 Bar	0.1 ÷ 4 Bar

Aerosol Generators	DDS Laskin-1	DDS Laskin-3
Dimensions (mm)	250 x 250 x 260 mm (b x p x h)	250 x 250 x 260 mm (b x p x h)
Weight KG	6 Kg	6.5 Kg
Main power supply	220 / 240 Volt 50 ÷ 60 Hz	220 / 240 Volt 50 ÷ 60 Hz
Secondary power supply (option)	Internal Battery 12 Vdc	Internal Battery 12 Vdc
Aerosol flow	0.4 ÷ 20 l/min	0.4 ÷ 40 l/min
Nozzle pressure	0.1 ÷ 3 Bar	0.1 ÷ 3 Bar
Solution duration (max dispensing)	> 10h	> 5h

\*Optional.

